

Programmes After Market Services NPM-5 Series Transceivers

General Information

Table of Contents

	Page No
NPM-5 Product Selection	3
Desktop Option	5
Accessories List	6
Product Variants.....	7
Technical Specifications	7
General Specifications of Transceiver NPM-5	7
Features	8
Music player	8
Recorder	8
Connectors and keys	8

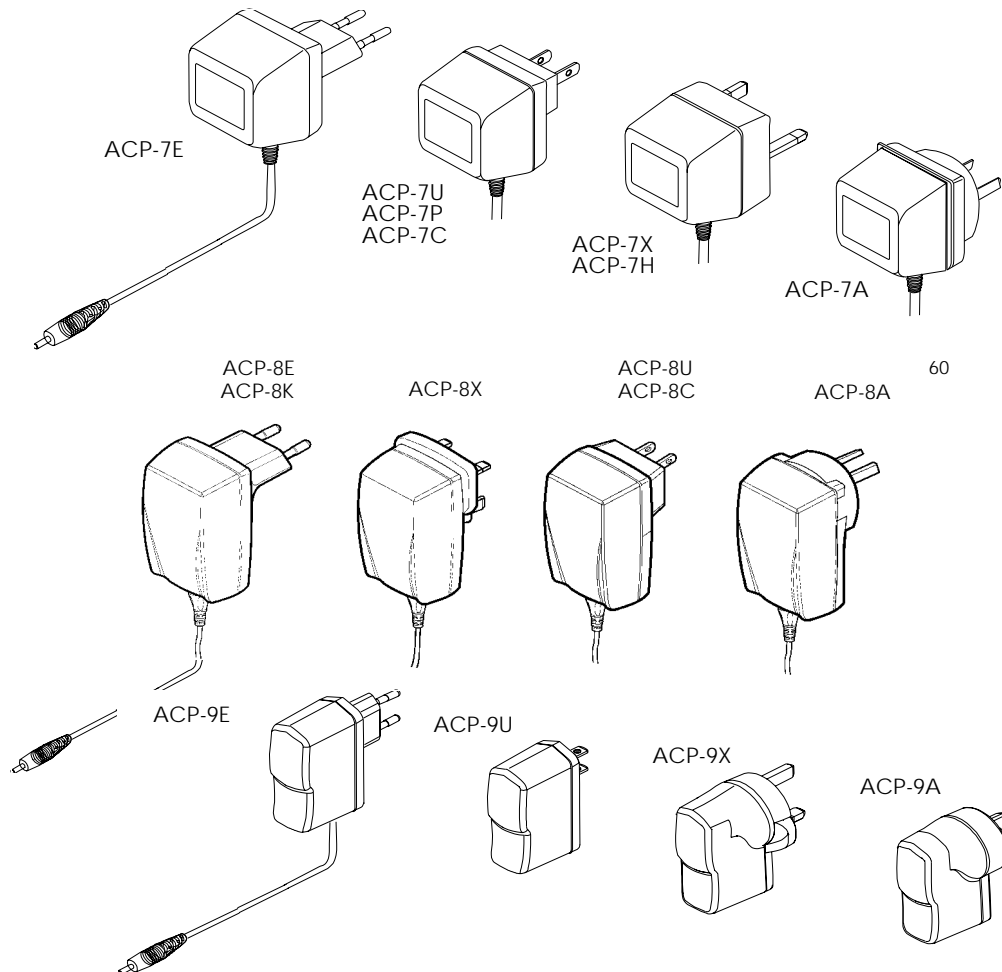
NPM-5 Product Selection

The NPM-5 is a dual band handportable mobile telephone for the E- GSM900 and1800 Networks. It features enhanced SMS capability with built-in QWERTY keyboard and WAP. It also includes a music recorder/player with stereo FM radio.

Figure 1: NPM-5 front view



Figure 2: Chargers



Item	Name:	Type code:	Material code:
1.	Transceiver	See Product Variants	
2.	Standard battery (Li-ion 650 mAh	BLB-2	0670246
3.	AC Travel Charger(Europlug) 207-253 Vac	ACP-7E	0675144
4.	AC Travel Charger (USplug) 108-132 Vac	ACP-7U	0675143
	AC Travel Charger (USplug) 207-253 Vac	ACP-7P	0675147
	AC Travel Charger (USplug) 198-242 Vac	ACP-7C	0675158
5.	AC Travel Charger (UKplug) 207-253 Vac	ACP-7X	0675145
	AC Travel Charger (UKplug) 180-220 Vac	ACP-7H	0675146
6.	AC Travel Charger(Australia) 216-264 Vac	ACP-7A	0675148
7.	Performance Travel Charger Euro plug 90-264 Vac	ACP-8E	0675195
	Performance Travel Charger Korea plug 90-264 Vac	ACP-8K	0675199
8.	Performance Travel Charger UK plug 90-264 Vac	ACP-8X	0675197
9.	Performance Travel Charger US plug 90-264 Vac	ACP-8U	0675196
	Performance Travel Charger China plug 90-264 Vac	ACP-8C	0675211
10.	Performance Travel Charger Australia plug 90-264 Vac	ACP-8A	0675214
11.	Fast Travel Charger	ACP-9E	0675149
12.	Fast Travel Charger	ACP-9U	0675151
13.	Fast Travel Charger	ACP-9X	0675150
14.	Fast Travel Charger	ACP-9A	0675152
15.	Output cable	PCC-1 (supplied with ACP-9)0730076	

Desktop Option

The desktop option allows the user to charge the phone battery from the mains supply.

Item	Name:	Type code:	Material code:
1.	Desktop Battery Charger	DDC-1	0675243
2.	AC Travel Charger (Europlug) 207-253 Vac	ACP-7E	0675144
3.	AC Travel Charger (USplug) 108-132 Vac	ACP-7U	0675143
	AC Travel Charger USplug) 207-253 Vac	ACP-7P	0675147
	AC Travel Charger (USplug) 198-242 Vac	ACP-7C	0675158
4.	AC Travel Charger (UKplug) 207-253 Vac	ACP-7X	0675145
	AC Travel Charger UKplug) 180-220 Vac	ACP-7H	0675146
5.	AC Travel Charger (Australia) 216-264 Vac	ACP-7A	0675148
6.	Performance Travel Charger Euro plug 90-264 Vac	ACP-8E	0675195
	Performance Travel Charger Korea plug 90-264 Vac	ACP-8K	0675199
7.	Performance Travel Charger UK plug 90-264 Vac	ACP-8X	0675197
8.	Performance Travel Charger US plug 90-264 Vac	ACP-8U	0675196
	Performance Travel Charger China plug 90-264 Vac	ACP-8C	0675211
9.	Performance Travel Charger Australia plug 90-264 Vac	ACP-8A	0675214

Accessories List

Unit/type:	Product code:
Battery BLC-2 950 mAh Li-ion	0670403
Battery BMC-2 640mAh NiMH	0620284
Battery BMC-3 900mAh NiMH	0620285
AC Travel Charger ACP-7E (EUR) 207-253 Vac	0675144
AC Travel Charger ACP-7U (US) 108-132 Vac	0675143
AC Travel Charger ACP-7P (US) 207-253 Vac	0675147
AC Travel Charger ACP-7C (US) 198-242 Vac	0675158
AC Travel Charger ACP-7X (UK) 207-253 Vac	0675145
AC Travel Charger ACP-7H (UK) 180-220 Vac	0675146
AC Travel Charger ACP-7A (AUS) 216-264 Vac	0675148
Performance Travel Charger ACP-8E (EUR) 90-264 Vac	0675195
Performance Travel Charger ACP-8K (Korea) 90-264 Vac	0675199
Performance Travel Charger ACP-8X (UK) 90-264 Vac	0675197
Performance Travel Charger ACP-8U (US) 90-264 Vac	0675196
Performance Travel Charger ACP-8C (China) 90-264 Vac	0675211
Performance Travel Charger ACP-8A (Australia) 90-264 Vac	0675214
Fast Travel Charger ACP-9E (EUR) 90-264 Vac	0675149
Fast Travel Charger ACP-9U (US) 90-264 Vac	0675151
Fast Travel Charger ACP-9X (UK) 90-264 Vac	0675150
Fast Travel Charger ACP-9A (Australia) 90-264 Vac	0675152
Stereo Headset HDD-2	0694105
Headset HDC-5	0694095
Loopset LPS-3	0630244
Cigarette Lighter Charger LCH-8	0675231
Cigarette Lighter Charger LCH-9	0675120
Desktop Battery Charger DDC-1	0675243

Technical Specifications

General Specifications of Transceiver NPM-5

Parameter	Unit
Cellular system	EGSM900 and GSM1800
RX frequency band	EGSM: 925 ... 960 MHz GSM900 935 ... 960 MHz GSM1805 ... 1880 MHz
TX frequency band	EGSM 880 ... 890 MHz GSM900 890 ... 915 MHz GSM1800 1710 ... 1785 MHz
Output power	GSM900 * +5 ...+33 dBm / 3.2 mW ... 2 W GSM1800 +0 ...+30 dBm / 1.0 mW ... 1 W
Duplex spacing	GSM900 * 45 MHz GSM1800 95 MHz
Number of RF channels	EGSM 50 GSM900 174 GSM1800 374
Channel spacing	200 kHz
Number of TX power levels	GSM900 * 15 GSM1800 16

Features

Music player

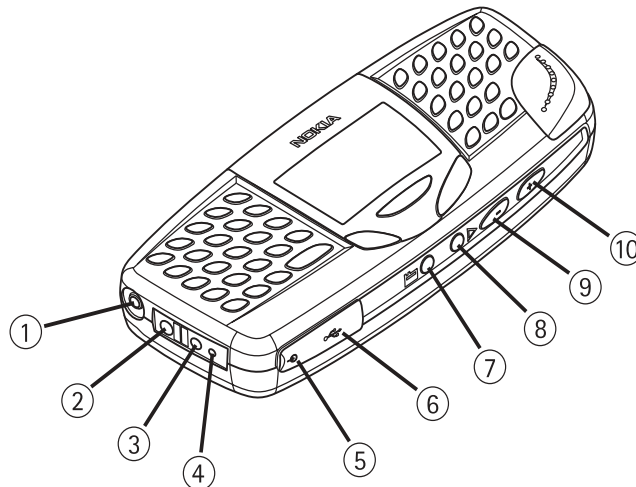
The music player feature in the NPM-5 provides users the possibility to use phone as a built in MP3/AAC –player with stereo headset. The user controls the music player basic functionality such as start, stop or pause music or to be able to select next/previous track or search music fast forward/ reverse direction during listening music. The tracklist is editable so audio file renaming and removing is possible.

Recorder

The recorder feature in the NPM-5 provides users the ability to record audio either from line input or the built-in radio in phone. Multiple audio clips can be recorded and those are stored into the phone memory.

Connectors and keys

Figure 3: NPM-5 connectors and keys



Item	Description
1	Connector for the black HDD-2 cable/stereo out
2	Connector for the charger cable
3	Connector for the grey HDD-2 cable
4	Internal microphone
5	Connector for the ADE-1 cable (under cover)
6	Connector for the DKE-2 connection cable (under cover)
7	Radio key
8	Music player key
9	Volume down
10	Volume up